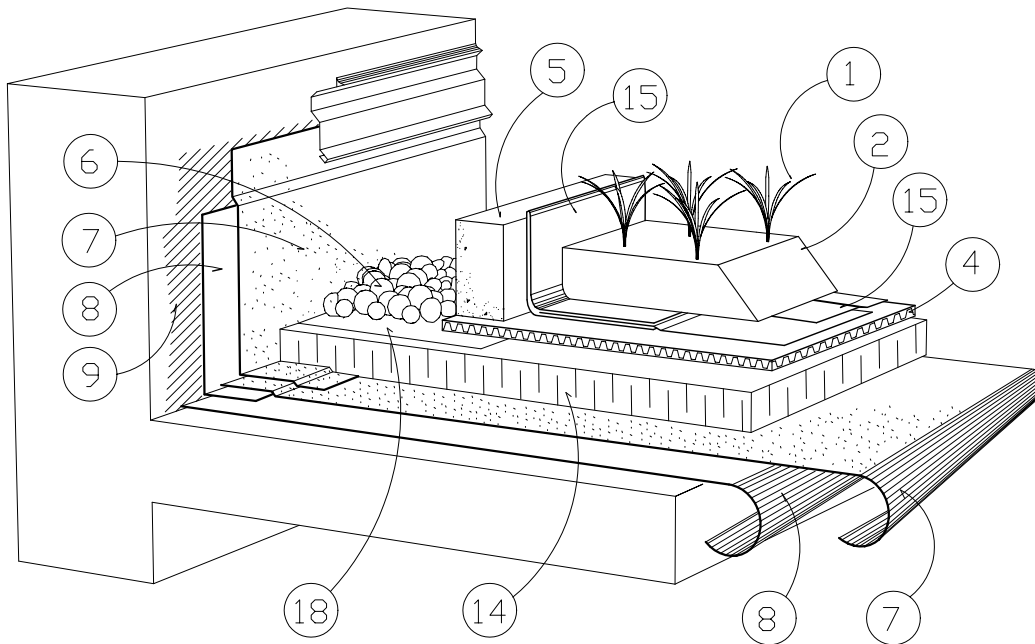


- 1) Vegetation
- 2) Sopraflor growing medium (type X or I)
- 4) Sopradrain 10-G
- 5) Concrete, wood or steel curb
- 6) Gravel or paver
- 7) Cap sheet membrane
- 8) Base sheet membrane
- 9) Primer
- 14) Insulation
- 15) Microfab
- 18) Permeable fabric



COPYRIGHT 2004 SOPREMA INC

PROJECT:			
	NO.	REVISION	DATE
TITLE:	SCALE:		DRAWING NUMBER:
	DATE:		