

Fiberstars 2005 Product Book



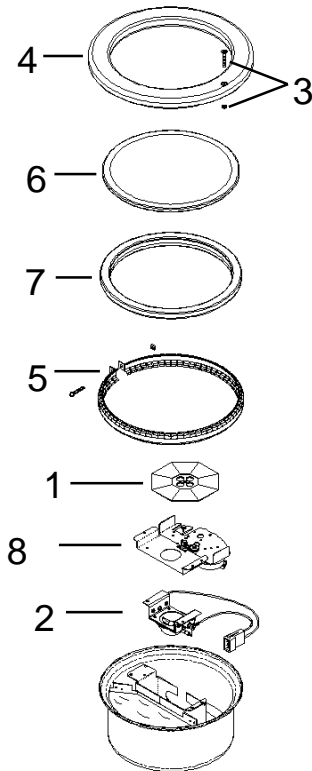
TOOLS/MISCELLANEOUS AND PARTS

Part #	Description	List \$	Part #	Description	List \$
22-15006-00	Lens Gasket - Large	\$1.71	FS-134	Acrylic Step Entry Fitting	\$10.43
A10980	Port Assembly 1500/2000	\$33.74	FS-136	10.3 oz. Tube of Oxime-Cure Silicone	\$8.69
A11213	Color Wheel FS5/2008	\$85.17	FS-138	Case of 24 Oxime-Cure Silicone	\$196.94
A11246	Screw Chassis to Base FS5/1500/2000/6000	\$0.34	FS-139	Acrylic Step Kit	\$53.30
A11526	Toggle Switch 3 Position	\$10.53	FS-163	Butane Hot Knife	\$200.21
A11598	Fuse 1/10A Auto-Control 1500/2000/6000	\$2.58	FX-8000	FX120V Non-Sync Color Wheel Motor Assy	\$100.86
A11603	Screw Cover 1500/2000/6000	\$0.34	FX-9000	FX12V Non-Sync Color Wheel Motor Assy	\$100.86
A11604	Top Assembly 1500/2000	\$64.05	FX-L	12V Halogen Lamp Replacement Kit	\$95.29
A12240	Port Assembly 6000	\$33.74	HI-109	Lamp 150W 21V Halogen	\$36.56
A12269	Fuse 7A Main Power 6000	\$2.58	HI-111	Lamp 250W 24V Halogen	\$41.71
A7002	Fan (FS250, FS3, 1500/2000/6000 Series)	\$30.38	HID-440	409 Series Replacement Lamp Ass.	\$322.16
A7003	Fan Cord	\$6.41	J10-1000	Replacement Kit, Color Wheel, Jazz	\$64.73
A7012	Fuse Holder	\$4.18	J20-2000	Replacement Kit, Lamp & Gasket Jazz 400	\$175.37
A8092	Color Wheel Nut (All Models)	\$0.34	J30-3000	Replacement Kit, Pilot Screw & Washer, Jazz	\$2.85
A8122	Screw Cover FS250	\$0.34	J30-4000	Replacement Kit, Top Cover, Jazz	\$47.54
A8630	Color Wheel Motor 3.6 RPM 19.7V	\$101.12	J30-5000	Replacement Kit, Clamp, Jazz	\$13.98
A8633	Color Wheel Motor Flange	\$1.08	J30-6000	Replacement Kit, Lens, Jazz	\$31.97
A8891	Lens o-ring - small	\$1.52	J30-7000	Replacement Kit, Gasket, Lens, Jazz	\$19.27
A9150	Screw Motor Flange	\$0.34	JSP-1000	Replacement Kit, Color Wheel, Jazz Spa	\$74.97
A9161	X-10 Receiver Module	\$44.03	JSP-3000	Replacement Kit, Screw & Washer, Jazz Spa	\$1.99
A9163	Relay Color Wheel	\$26.12	JSP-4000	Replacement Kit, Top Cover, Jazz Spa	\$26.72
A9173	Toggle Switch 2 Position	\$11.00	JSP-5000	Replacement Kit, Clamp, Jazz Spa	\$24.35
A9182	Fuse 2.5A Main Power	\$2.58	JSP-6000	Replacement Kit, Lens, Jazz Spa	\$32.38
A9547	Magnet Sync Color Wheel	\$5.88	JSP-7000	Replacement Kit, Gasket, Lens, Jazz Spa	\$9.31
A9792/A9903	Centering device - large	\$11.61	L20-1000	Lamp Replacement Kit, UI-1, Single-Sided	\$152.36
A9787/A9904	Centering device - small	\$11.61	L20-2000	Lamp Replacement Kit, UI-2/3, Dual Sided	\$189.72
A9811	Sensor Sync Units	\$5.73	PT-03C	Color Wheel FS3/FS250	\$61.28
B10724	Fiber Glo lens only	\$11.61	PT-03C-SYN	Color Wheel FS4 Sync Units	\$67.49
B11458	Broadcast lens only	\$11.61	PT-03D	Color Wheel FS4/1504/2004	\$47.98
B7094	Front Panel (Port) FS250	\$20.58	PT-05D	Color Wheel Sync 6004-AS	\$84.33
B9084	Clip for Fiber Port FS3	\$2.58	PT-05DR	Color Wheel Sync 2004-AS	\$84.33
B915	Lamp Socket	\$5.40	Y10-4005	Color Wheel Motor Assembly 1504/2004	\$49.13
B9937	EvenGlo Lens	\$11.61	Y10-4010	Color Wheel Motor Assembly 6004	\$49.13
C12467	Circuit Board Master (Replaces C11227)	\$194.03	Y10-8005	Color Wheel Motor Assembly 2008	\$50.62
C12468	Circuit Board Slave (Replaces C-9514)	\$182.78	Y10-8010	Color Wheel Motor Assembly 6008	\$50.62
C9171	Back Panel FS250	\$20.58	Y10-8011	Color Wheel Mtr Assy 2008-M&S, 6008-M&S only	\$50.62
C9516	Transformer C/W Motor 6008 Sync Units	\$71.83	Y10-8020	PC Board & Motor Assembly 2004-AS	\$192.72
D12028	Baffle 1500/2000	\$3.98	Y10-8021	Hot Mirror, C/W, Motor, PC Board Assy 2004-AS	\$370.96
D9144E	Transformer 125V	\$72.95	Y10-8030	Color Wheel Mtr Assy Sync-M(6000 V.3)(2000 V.2)	\$301.46
E12312	Bottom Assembly 2000/6000	\$84.36	Y10-8031	Color Wheel Mtr Assy Sync-S(6000 V.3)(2000 V.2)	\$301.46
E8004	Bottom Enclosure FS250	\$60.69	Y10-8040	Circuit Board With Sensor-M (6000 V.3) (2000 V.2)	\$203.87
E9167	Top Enclosure FS250	\$64.05	Y10-8041	Circuit Board With Sensor-S (6000 V.3) (2000 V.2)	\$203.87
FS-108	Port Assembly FS250	\$89.27	Y10-8050	PC Board & Motor Assembly 6004-AS	\$192.72
FS-115	Disposable Epoxy Kit	\$8.69	Y10-8051	Hot Mirror, C/W, Motor, PC Board Assy 6004-AS	\$398.50
FS-117	Lens Tightening Tool	\$6.94	Y20-2050	Lamp Bracket Assembly 6000	\$42.46
FS-118	Heavy Duty Hot Knife, 60 Watt		Y20-6000	Lamp Assembly 6000	\$104.27
	with new style chisel blade	\$143.36	Y20-6050	Hot Mirror Bracket Assembly 6000	\$121.61
FS-118A	Pkg. of 5 Rplcmnt Blades old style X-ACTO	\$9.25	Y30-0020	Thermal Overload (All Models)	\$11.33
FS-118A1	New Style Replacement Blade for the new		Y30-6010	RM6000 Transmitter Replacement	\$21.05
	style FS-118 and FS-163 hot knives	\$40.69	Y30-6015	RM-400 Transmitter Replacement	\$64.24
FS-120	Clear Finish Fitting for Perimeter	\$10.45	Y30-6110	Photo Sensor Only RM6000	\$30.38
FS-126	X-10 4 Button Transmitter	\$27.81	Y30-6900	Fuse Holder (Inline) Universal	\$6.74
FS-128	X-10 2 Button Wireless	\$64.88	Z30-0010	Resistor	\$13.12
FS-130	165' Roll Clear Double-Sided Tape	\$39.38			

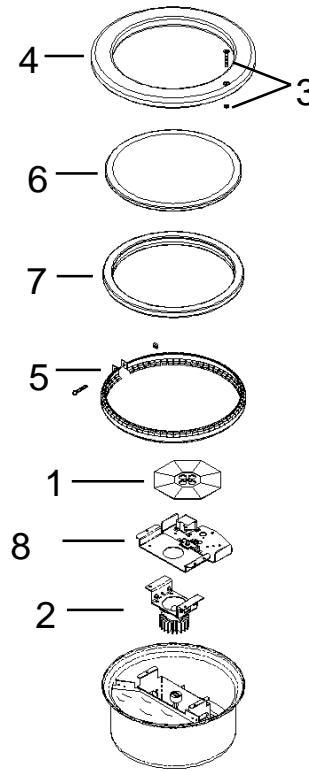


Fiberstars 2005 Product Book

THE JAZZ POOL LIGHT REPLACEMENT PARTS EXPLODED



FIBERSTARS FX™ POOL LIGHT REPLACEMENT PARTS EXPLODED

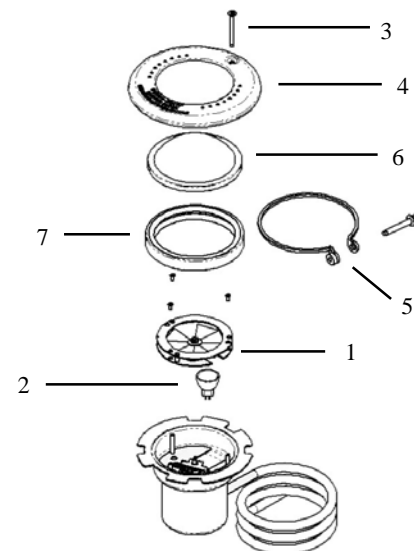


KEY	DESCRIPTION	PART#
1	COLOR WHEEL (NON-SYNCH)	J10-1000
	COLOR WHEEL (SYNCH)	J10-2000
2	LAMP KIT, 50W METAL HALIDE FOR J400 SERIES (INCLUDES REPLACEMENT GASKET #7)	J20-2000
3	PILOT SCREW, WITH CAPTIVE GUM WASHER	J30-3000
4	FACE RING, STAINLESS STEEL	J30-4000
5	COMPRESSION CLAMP	J30-5000
6	LENS, FIBERSTARS, 8-3/8" DIA., TEMPERED	J30-6000
7	GASKET, LENS	J30-7000
8	NON-SYNCH COLOR WHEEL MOTOR ASSEMBLY	J30-8000
	SYNCH COLOR WHEEL MOTOR ASSEMBLY	J30-9000

KEY	DESCRIPTION	PART#
1	COLOR WHEEL (NON-SYNCH)	J10-1000
	COLOR WHEEL (SYNCH)	J10-2000
2	12V HALOGEN LAMP REPLACEMENT KIT	FX-L
3	PILOT SCREW, WITH CAPTIVE GUM WASHER	J30-3000
4	FACE RING, STAINLESS STEEL	J30-4000
5	COMPRESSION CLAMP	J30-5000
6	LENS, FIBERSTARS, 8-3/8" DIA., TEMPERED	J30-6000
7	GASKET, LENS	J30-7000
8	FX120V NON-SYNCH COLOR WHEEL MOTOR ASSY	FX-8000
	FX12V NON-SYNCH COLOR WHEEL MOTOR ASSY	FX-9000

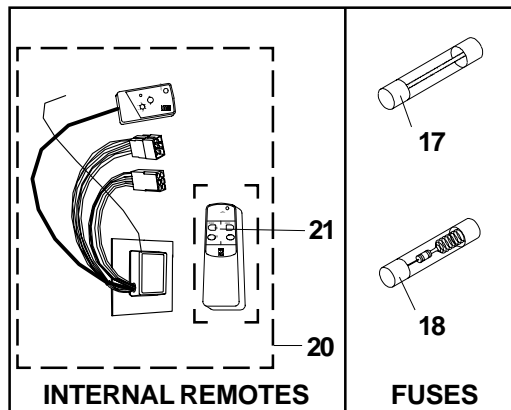
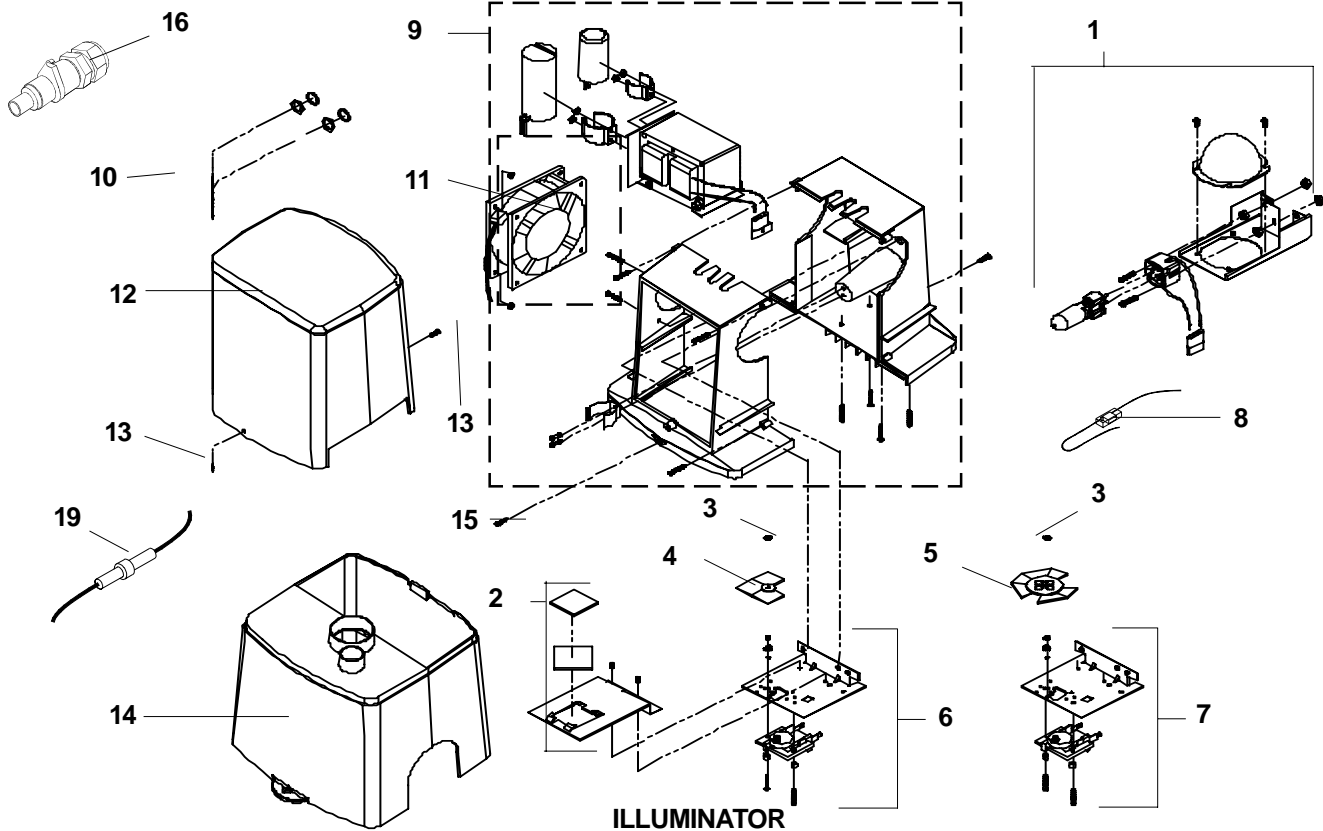
THE JAZZ SPA LIGHT (120V & 12V) THE FIBERSTARS FX™ SPA LIGHT (120V & 12V) - REPLACEMENT PARTS EXPLODED

KEY	DESCRIPTION	PART#
1	COLOR WHEEL	JSP-1000
2	12V 35W HALOGEN LAMP	JSP-2000
	(INCLUDES ITEMS #3-PILOT SCREW & #7-GASKET)	
3	PILOT SCREW, WITH CAPTIVE GUM WASHER	JSP-3000
4	FACE RING, STAINLESS STEEL	JSP-4000
5	COMPRESSION CLAMP	JSP-5000
6	LENS	JSP-6000
7	GASKET, LENS	JSP-7000





6004 SERIES ILLUMINATOR - PARTS EXPLODED (See Page 41 for prices)



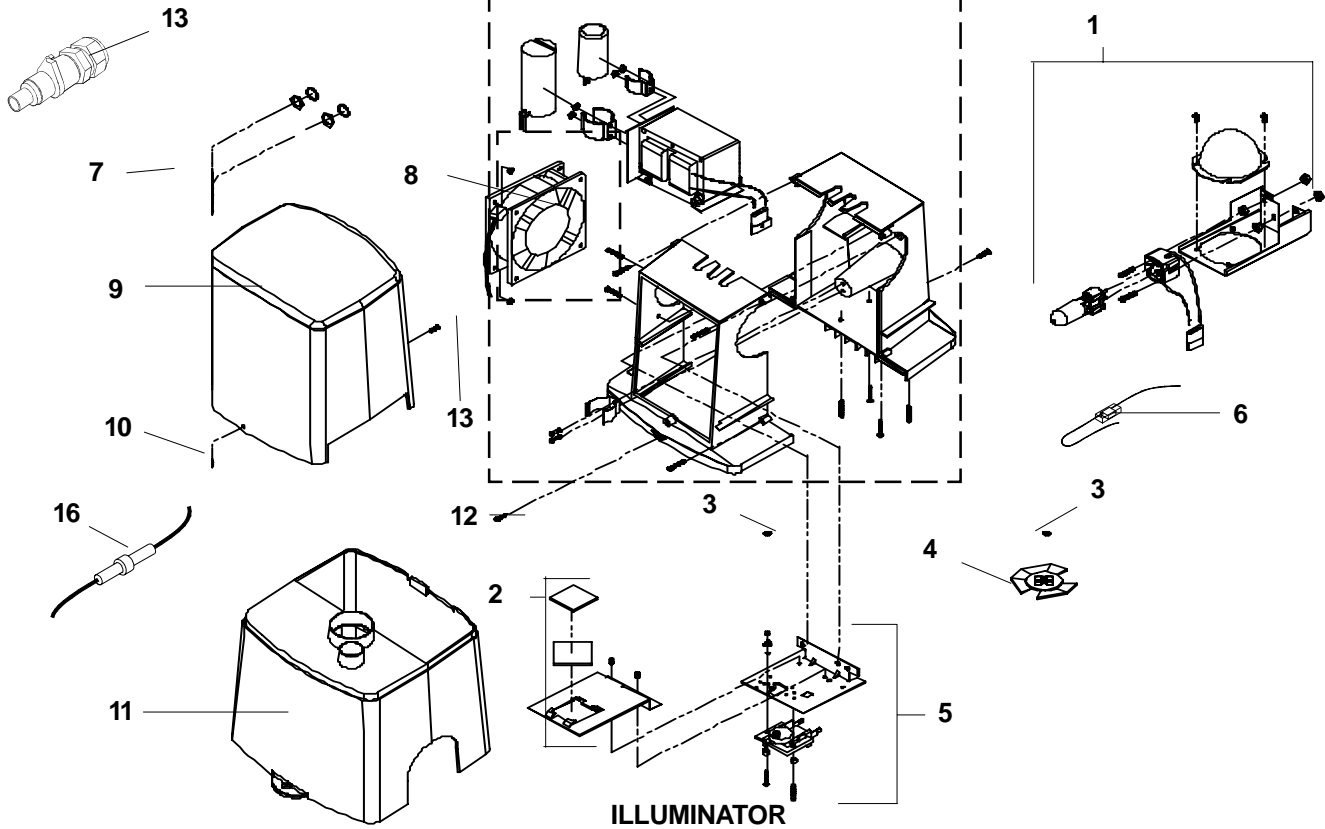
KEY	DESCRIPTION	PART#
1	LAMP ASSEMBLY	Y20-6000
2	HOT MIRROR BRACKET ASSEMBLY	Y20-6050
3	COLOR WHEEL NUT	A8092
4	COLOR WHEEL ONLY (6004)	PTO3D
5	COLOR WHEEL ONLY (6008)	A11213
6	COLOR WHEEL MOTOR ASSY. (6004)	Y10-4010
7	COLOR WHEEL MOTOR ASSY. (6008)	Y10-8010
8	THERMAL OVERLOAD ASSEMBLY, UNIVERSAL	Y30-0020
9	CHASSIS-BALLAST-FAN ASSEMBLY	Y30-6500
10	TOGGLE SWITCH, 3-POSITION	A11526
11	FAN	A7002

KEY	DESCRIPTION	PART#
12	TOP COVER	A11604
13	TOP COVER SCREW (#8-32 X .5)	A11603
14	BASE	E12312
15	BASE TO CHASSIS SCREW (#8 X .5 SELF DRILLING)	A11246
16	FIBER PORT ASSY.	A12240
17	FUSE, MAIN POWER, 7 AMP	A12269
18	FUSE, COLOR WHEEL MOTOR, .1 AMP	A11598
19	FUSE HOLDER, UNIVERSAL (NO FUSE INCLUDED)	Y30-6900
20	RM6000 AUTOMATIC OPERATING SYTEM PKG.	RM6000
21	RM6000 TRANSMITTER ONLY	Y30-6010

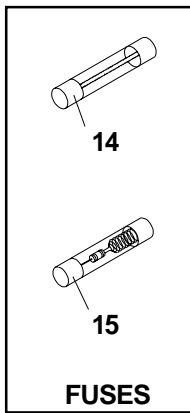


Fiberstars 2005 Product Book

6004-AS SERIES ILLUMINATOR - AUTO SYNC- PARTS EXPLODED



ILLUMINATOR



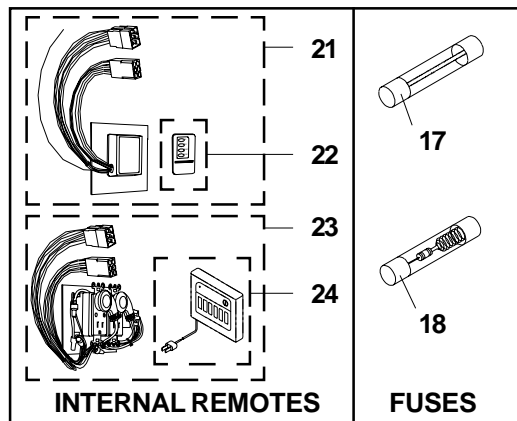
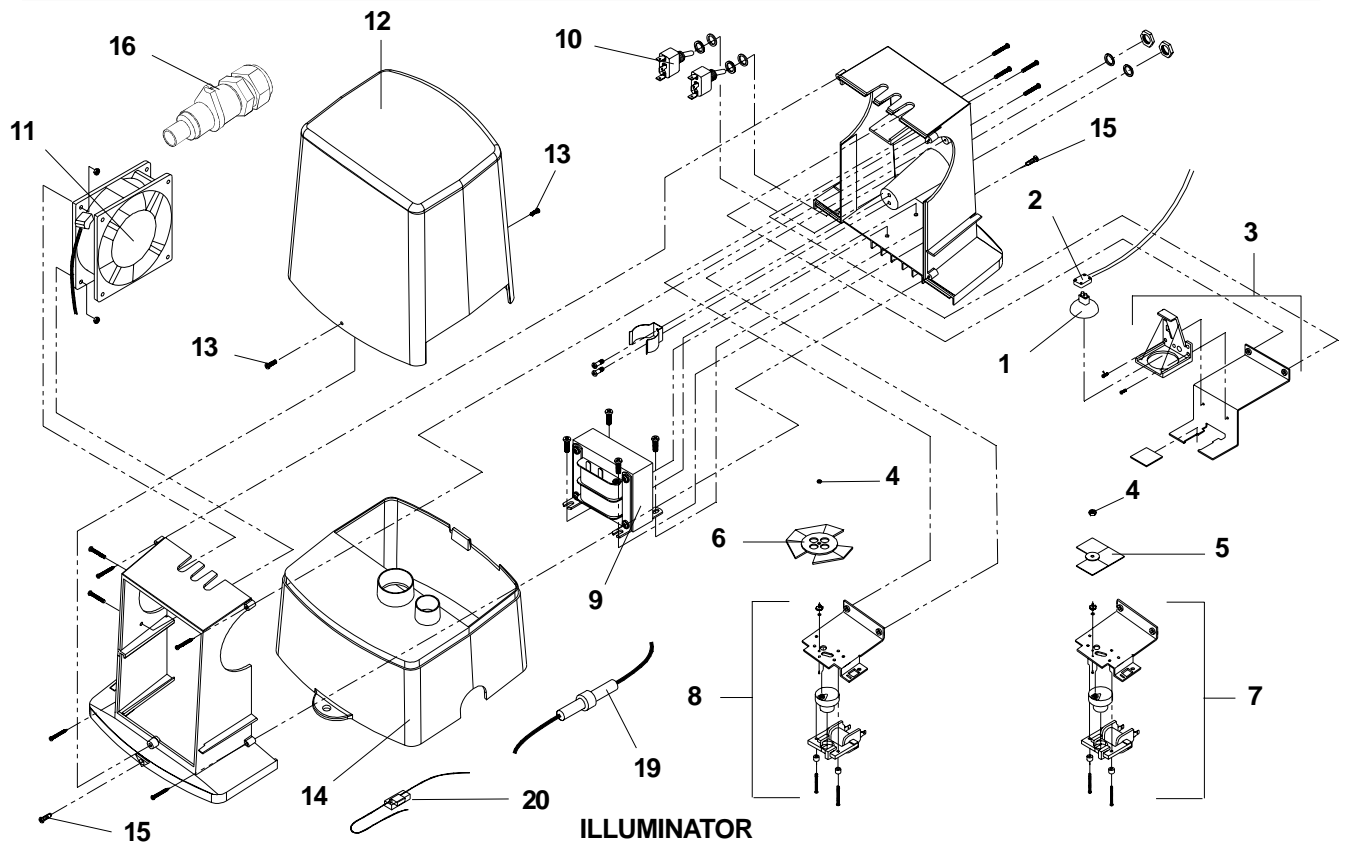
FUSES

KEY	DESCRIPTION	PART#	KEY	DESCRIPTION	PART#
1	LAMP ASSEMBLY	Y20-6000	7	TOGGLE SWITCH, 3-POSITION	A11526
2	HOT MIRROR BRACKET ASSEMBLY	Y20-6050	8	FAN	A7002
3	COLOR WHEEL NUT	A8092	9	TOP COVER	A11604
4	COLOR WHEEL ONLY 6004-AS SYNC	PT05D	10	TOP COVER SCREW (#8-32 X .5)	A11603
5	COLOR WHEEL MOTOR ASSY. AND PC BOARD 6004-AS SYNC	Y10-8050	11	BASE	E12312
2&5	HOT MIRROR, MOTOR, COLOR WHEEL, AND PC BOARD ASSEMBLY 6004-AS SYNC	Y10-8051	12	BASE TO CHASSIS SCREW (#8 X .5 SELF DRILLING)	A11246
6	THERMAL OVERLOAD ASSEMBLY, UNIVERSAL	Y30-0020	13	FIBER PORT ASSY.	A12240
			14	FUSE, MAIN POWER, 7 AMP	A12269
			15	FUSE, COLOR WHEEL MOTOR, .1 AMP	A11598
			16	FUSE HOLDER, UNIVERSAL (NO FUSE INCLUDED)	Y30-6900

Fiberstars 2005 Product Book



2004 SERIES ILLUMINATOR - PARTS EXPLODED (See Page 41 for prices)

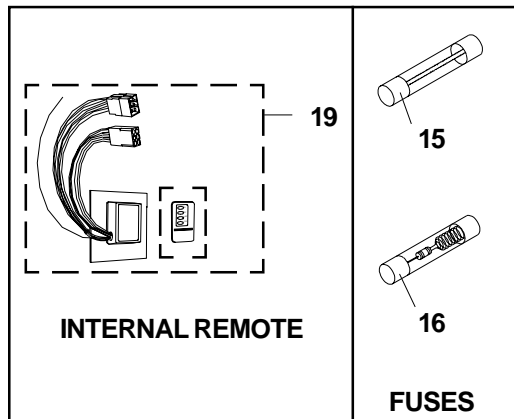
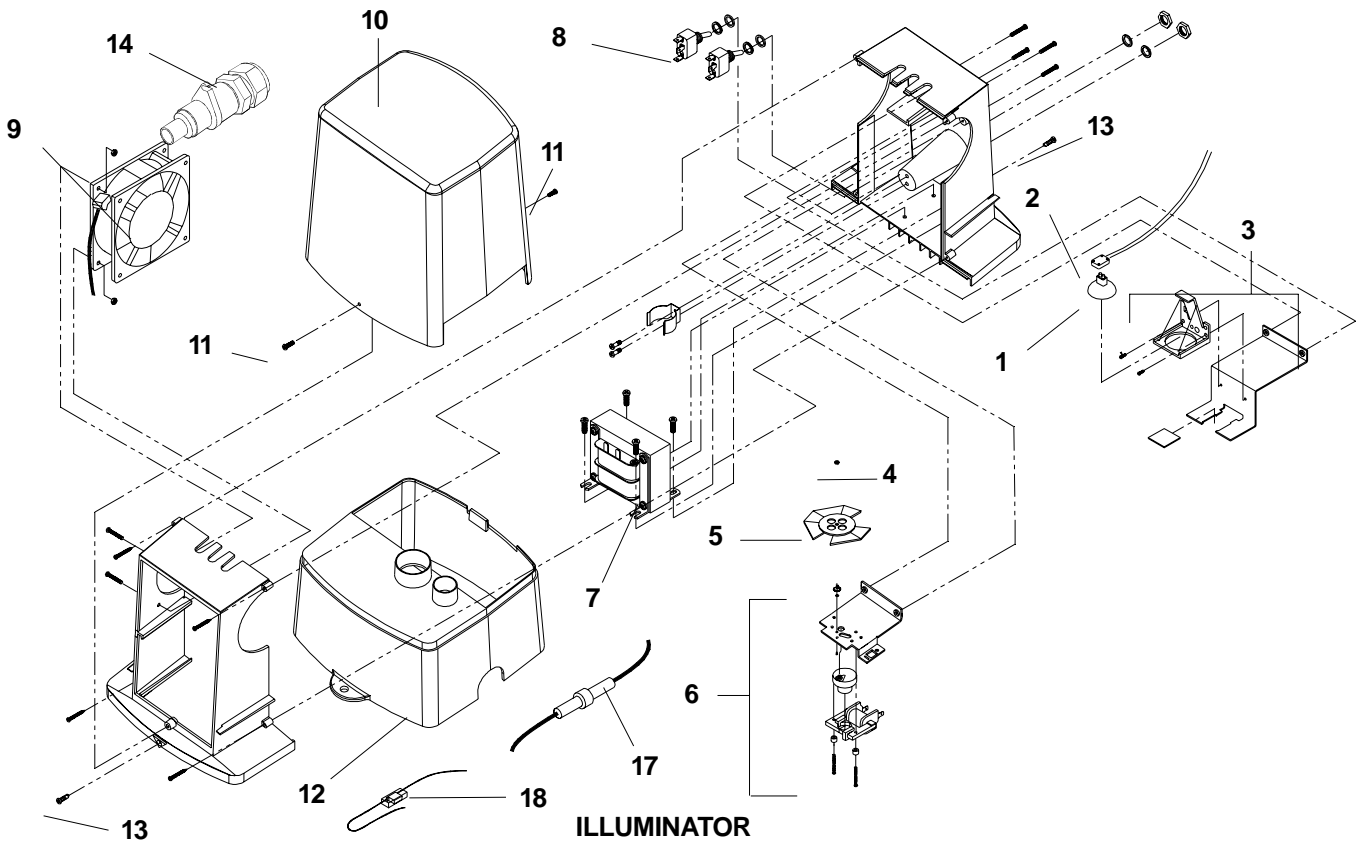


KEY	DESCRIPTION	PART#	KEY	DESCRIPTION	PART#
1	LAMP 250W 24V	HI-111	13	TOP COVER SCREW (#8-32 X.5)	A11603
2	LAMP SOCKET	B9155	14	BASE	E12312
3	LAMP BRACKET ASSY.	Y20-2050	15	BASE TO CHASSIS SCREW (#8 X .5 SELF DRILLING)	A11246
4	COLOR WHEEL NUT	A8092	16	FIBER PORT ASSY.	A10980
5	COLOR WHEEL ONLY (2004)	PTO3D	17	FUSE, MAIN POWER, 2.5 AMP	A9182
6	COLOR WHEEL ONLY (2008)	A11213	18	FUSE, COLOR WHEEL MOTOR, .1 AMP	A11598
7	COLOR WHEEL MOTOR ASSY. (2004)	Y10-4005	19	FUSE HOLDER, UNIVERSAL (NO FUSE INCLUDED)	Y30-6900
8	COLOR WHEEL MOTOR ASSY. (2008)	Y10-8005	20	THERMAL OVERLOAD ASSEMBLY, UNIVERSAL	Y30-0020
9	TRANSFORMER, 120VAC - 19.7VAC	D9144E	21	RM1 REMOTE CONTROL PKG., WIRELESS	RM1
10	TOGGLE SWITCH, 3-POSITION	A11526	22	RM1 TRANSMITTER ONLY, WIRELESS	Y30-6005
11	FAN	A7002	23	RM2 REMOTE CONTROL PKG., X-10 TYPE	RM2
12	TOP COVER	A11604	24	RM2 TRANSMITTER ONLY, PLUG-IN	FS-126



Fiberstars 2005 Product Book

2004-AS ILLUMINATOR AUTO SYNC- PARTS EXPLODED



KEY	DESCRIPTION	PART#
1	LAMP 250W 24V	HI-111
2	LAMP SOCKET	B9155
3	LAMP BRACKET ASSY.	Y20-2050
4	COLOR WHEEL NUT	A8092
5	COLOR WHEEL ONLY 2004-AS SYNC	PTO5DR
6	CLR WHL MOTOR ASSY. AND PC BOARD 2004-AS SYNC	Y10-8020
5&6	HOT MIRROR, MOTOR, COLOR WHEEL, AND PC BOARD ASSEMBLY 2004-AS SYNC	Y10-8021
7	TRANSFORMER, 120VAC - 19.7VAC	D9144E
8	TOGGLE SWITCH, 3-POSITION	A11526
9	FAN	A7002

KEY	DESCRIPTION	PART#
10	TOP COVER	A11604
11	TOP COVER SCREW (#8-32 X.5)	A11603
12	BASE	E12312
13	BASE TO CHASSIS SCREW (#8 X .5 SELF DRILLING)	A11246
14	FIBER PORT ASSY.	A10980
15	FUSE, MAIN POWER, 2.5 AMP	A9182
16	FUSE, COLOR WHEEL MOTOR, .1 AMP	A11598
17	FUSE HOLDER, UNIVERSAL (NO FUSE INCLUDED)	Y30-6900
18	THERMAL OVERLOAD ASSEMBLY, UNIVERSAL	Y30-0020
19	RM1 REMOTE CONTROL PKG., WIRELESS	RM1