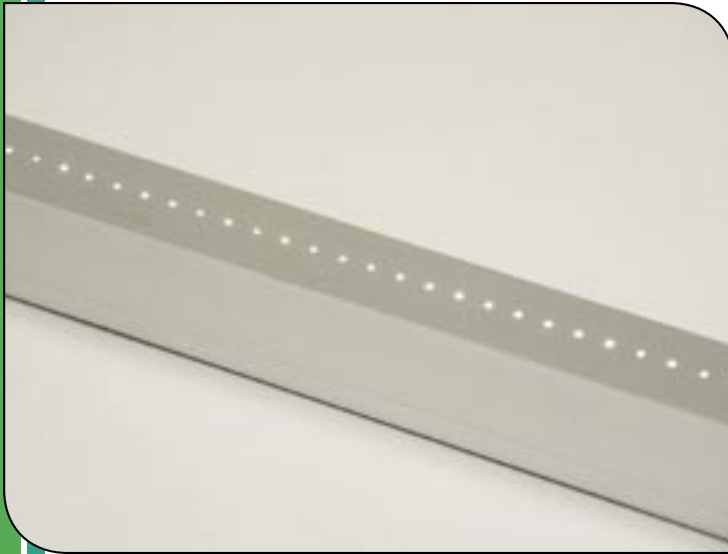


# EFO LIGHT BARS

## description\_ordering guide\_specifications



### LIGHTBEAM

**Description:**

LightBeam by Fiberstars makes it possible to illuminate along a linear path with the light aimed exactly where it is needed and at exactly the right intensity. The light that is directed has no electrical hazard, no ultraviolet rays, and is virtually infrared free.

Low profile, linear light fixture. Square shape available in standard and compact frames, as well as medium and high wash intensities. Quality aluminum extrusion of rugged construction.

Used with EFO-1+1 or EFO-AG illuminators.

<b>EFO-LB</b>						
<b>ordering guide</b>	<b>Lit Length:</b> ( ) SPECIFY INCHES	<b>Tail Length:</b> ( ) SPECIFY FEET	<b>Wash Intensity:</b> <b>H</b> HIGH (10 FIBERS/INCH) <b>M</b> MEDIUM (6 FIBERS/INCH)	<b>Base Size:</b> <b>S</b> STANDARD (1") <b>C</b> COMPACT (5/8")	<b>Finishes:</b> <b>S</b> STANDARD CLEAR ANODIZED <b>B</b> BLACK ANODIZED	<b>Tail Exit:</b> <b>L</b> LEFT <b>R</b> RIGHT <b>C</b> CUSTOM

<p><b>Specifications:</b></p> <p><b>Beam Spread:</b> 60°</p> <p><b>Max Lit Lengths:</b> STANDARD SIZE: HIGH INTENSITY 50" (1270MM), MEDIUM INTENSITY 83" (2108MM) COMPACT SIZE: HIGH INTENSITY 16" (406MM), MEDIUM INTENSITY 28" (711MM)</p> <p><b>Base Sizes:</b> STANDARD SIZE: 1" (25.4MM) SQUARE COMPACT SIZE: 0.65" (16.5MM) SQUARE</p> <p><b>Mounting:</b> LB-MB (SEE PAGE 30) OR SIMILAR SURFACE MOUNT.</p> <p><b>Technical Remarks:</b> EMITS A WASH OF LIGHT ALONG AN AXIS. WASH INTENSITY INCREASES WHEN FIBER SPACING DECREASES.</p> <p><b>Cable Diameters:</b> STANDARD SIZE: 7/8" MAX COMPACT SIZE: 9/16" MAX</p> <p><b>Max Fiber Capacity:</b> 500 FIBERS PER PORT</p>	<p><b>Compact Base Configuration:</b></p>	<p><b>Standard Base Configuration:</b></p>
<p><b>Isometric Key:</b></p> <p><b>H</b> BASE SIZE <b>L</b> LENGTH UP TO 83" <b>S</b> FIBER SPACING <b>T</b> TAIL LENGTH</p>	<p><b>Isometric:</b></p>	<p><b>Cross Section:</b></p>

# EFO LIGHT BARS

## description\_ordering guide\_specifications



EFO light bars



### LIGHTBEAM QUARTER ROUND

**Description:**

LightBeam Quarter Round by Fiberstars makes it possible to illuminate along a linear path with the light aimed exactly where it is needed and at exactly the right intensity. The light that is directed has no electrical hazard, no ultraviolet rays, and is virtually infrared free.

Low profile, linear light fixture. Quarter round shape allows angular light distribution in a standard or compact frame as well as medium or high wash intensities. Quality aluminum extrusion of rugged construction.

Used with EFO-1+1 or EFO-AG illuminators.

<b>EFO-LBQR</b>						
<b>ordering guide</b>	<b>Lit Length:</b> ( ) SPECIFY INCHES	<b>Tail Length:</b> ( ) SPECIFY FEET	<b>Wash Intensity:</b> <b>H</b> HIGH (10 FIBERS/INCH) <b>M</b> MEDIUM (6 FIBERS/INCH)	<b>Base Size:</b> <b>S</b> STANDARD (1 1/4") <b>C</b> COMPACT (3/4")	<b>Finishes:</b> <b>S</b> STANDARD CLEAR ANODIZED <b>B</b> BLACK ANODIZED	<b>Tail Exit:</b> <b>L</b> LEFT <b>R</b> RIGHT <b>C</b> CUSTOM

<p><b>Specifications:</b></p> <p><b>Beam Spread:</b> 60°</p> <p><b>Max Lit Lengths:</b> STANDARD SIZE: HIGH INTENSITY 50" (1270MM), MEDIUM INTENSITY 83" (2108MM). COMPACT SIZE: HIGH INTENSITY 16" (406MM), MEDIUM INTENSITY 28" (711MM)</p> <p><b>Base Sizes:</b> STANDARD SIZE: 1 1/4" QR (31.75MM) COMPACT SIZE: 3/4" QR (19.05MM)</p> <p><b>Mounting:</b> LB-MB (SEE PAGE 30) OR SIMILAR SURFACE MOUNT.</p> <p><b>Technical Remarks:</b> LIGHT EMITS 45 DEGREES FROM RIGHT-ANGLE SIDE; OTHER AIMS POSSIBLE BY SPECIAL ORDER.</p> <p><b>Cable Diameters:</b> STANDARD SIZE: 7/8" MAX COMPACT SIZE: 9/16" MAX</p> <p><b>Max Fiber Capacity:</b> 500 FIBERS PER PORT</p>	<p><b>Compact Base Configuration:</b></p>	<p><b>Standard Base Configuration:</b></p>
<p><b>Isometric Key:</b></p> <p><b>H</b> BASE SIZE</p> <p><b>L</b> LENGTH UP TO 83"</p> <p><b>S</b> FIBER SPACING</p> <p><b>T</b> TAIL LENGTH</p>	<p><b>Isometric:</b></p>	<p><b>Cross Section:</b></p> <p>Section A-A</p>

# EFO LIGHT BARS

## description\_ordering guide\_specifications



### LIGHTFRAME

**Description:**

LightFrame is specially designed for edge illumination of etched and deep carved transparent panels. LightFrame provides a receiving channel to align fibers to the edge of the panel while offering all the benefits of LightBeam. LightFrame is not intended to be used as a structural support for transparent panels. These panels must be anchored independently of the LightFrame bar. Panel must be monolithic, acrylic, or high-clarity glass (not laminated, float glass, etc.) and surface etched no more than 25%. Light penetration is 12"-24". Used with EFO-1+1 or EFO-AG illuminators.

<b>EFO-LF</b>							
<b>ordering guide</b>	<b>Lit Length:</b> ( ) SPECIFY INCHES	<b>Tail Length:</b> ( ) SPECIFY FEET	<b>Wash Intensity:</b> <b>H</b> HIGH (10 FIBERS/INCH) <b>M</b> MEDIUM (6 FIBERS/INCH)	<b>Base Size:</b> <b>S</b> STANDARD (1") <b>C</b> COMPACT (5/8")	<b>Panel Thickness:</b> <b>A</b> 0.25" THICKNESS <b>B</b> 0.375" THICKNESS <b>C</b> 0.5" THICKNESS <b>D</b> 0.75" THICKNESS (STANDARD BASE ONLY)	<b>Finishes:</b> <b>S</b> STANDARD CLEAR ANODIZED <b>B</b> BLACK ANODIZED	<b>Tail Exit:</b> <b>L</b> LEFT <b>R</b> RIGHT <b>C</b> CUSTOM

<p><b>Specifications:</b></p> <p><b>Beam Spread:</b> 60° UNTIL ENTERING PANEL, INTERNALLY REFLECTED</p> <p><b>Max Lit Lengths:</b> STANDARD SIZE: HIGH INTENSITY 50" (1270MM), MEDIUM INTENSITY 83" (2108MM) COMPACT SIZE: HIGH INTENSITY 16" (406MM) MEDIUM INTENSITY 28" (711MM)</p> <p><b>Base Sizes:</b> STANDARD SIZE: 1.01" W x 1.54" H (25.44MM x 39.1MM). PANEL THICKNESS: 0.25", 0.375", 0.5" OR 0.75" (6.35MM, 9.5MM, 12.7MM, 19MM) COMPACT SIZE: 0.65" W x 1.175" H (16.5MM x 29.8MM). PANEL THICKNESS: 0.25", 0.375" OR 0.5" (6.35MM, 9.5MM, 12.7MM)</p> <p><b>Mounting:</b> PANEL HOLDS FIXTURE; FIXTURE SHOULD NOT SUPPORT PANEL. ADHERE TO PANEL WITH CLEAR SILICONE.</p> <p><b>Cable Diameters:</b> STANDARD SIZE: 7/8" MAX COMPACT SIZE: 9/16" MAX</p> <p><b>Max Fiber Capacity:</b> 500 FIBERS PER PORT</p>	<p><b>Compact Base Configurations:</b></p> <p>1/4" RECEIVING CHANNEL      3/8" RECEIVING CHANNEL      1/2" RECEIVING CHANNEL</p>	
<p><b>Isometric Key:</b></p> <p><b>H</b> BASE SIZE <b>L</b> LENGTH UP TO 83" <b>S</b> FIBER SPACING <b>T</b> TAIL LENGTH <b>P</b> PANEL THICKNESS</p>	<p><b>Isometric:</b></p>	<p><b>Standard Base Configurations:</b></p> <p>3/8" RECEIVING CHANNEL      1/2" RECEIVING CHANNEL      3/4" RECEIVING CHANNEL</p>

# EFO LIGHT BARS

## description\_ordering guide\_specifications



EFO light bars



### TRIAxis

#### Description:

Similar to LightBeam, asymmetrical distribution. The unique design of this light bar has 3 different angles of distribution: 15°, 30° and 35°. This allows a broader wash of light into a display case or similar application.

#### Case Lighting Recommendations:

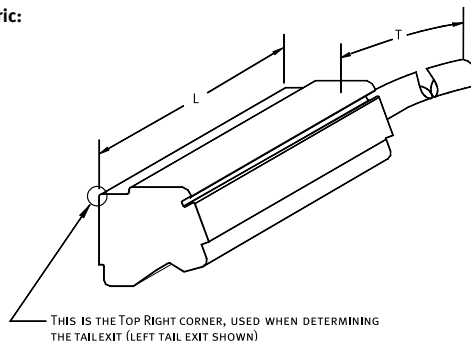
- (22") recommended for 24" cases
- (34") recommended for 36" cases
- (46") recommended for 48" cases
- (58") recommended for 60" cases
- (70") recommended for 72" cases

EFO-TRX				
ordering guide	Lit Length: ( ) SPECIFY INCHES	Tail Length: ( ) SPECIFY FEET	Finishes: <b>S</b> STANDARD CLEAR ANODIZED	Tail Exit: <b>L</b> LEFT <b>R</b> RIGHT <b>C</b> CUSTOM

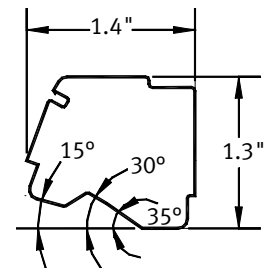
**Specifications:**  
**Beam Spread:** 80° (ASYMMETRIC)  
**Max Lit Lengths:** 100" (2540M)  
**Base Sizes:** 1.4" x 1.3" (35.56MM X 33MM)  
**Mounting:** LB-MB (SEE PAGE 30) OR SIMILAR SURFACE MOUNT  
**Technical Remarks:** INTENDED FOR CASE AND CABINET LIGHTING BUT USEFUL WHEREVER A WIDE-DISPERSION, ASYMMETRICAL WASH IS REQUIRED.  
**Cable Diameters:** STANDARD SIZE: 7/8" MAX  
**Max Fiber Capacity:** 500 FIBERS PER PORT  
**Fiber Wash:** 5 FIBERS PER INCH

**Isometric Key:**  
**L** LENGTH UP TO 100"  
**T** TAIL LENGTH  
**E** TAIL EXIT, RIGHT OR LEFT

**Isometric:**

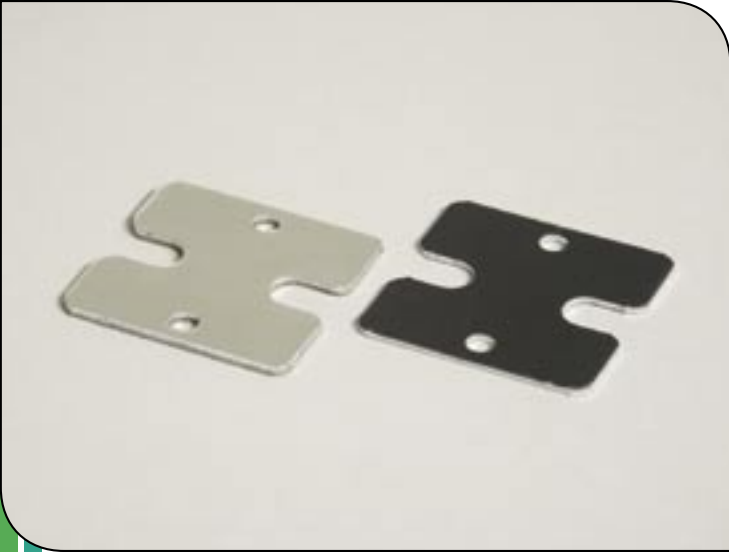


**Cross Section:**



# EFO LIGHT BARS

## description\_ordering guide\_specifications



### MOUNTING BRACKET

**Description:**  
 Used to mount linear extrusion fixture (EFO-LB, EFO-LBQR, EFO-LF and EFO-TRX). Adhere LB-MB to fixture with adhesive included, then attach LB-MB to structure with appropriate fasteners. Use one LB-MB every 12" (300mm) and one at each end of fixture.

<b>LB-MB</b>		
<b>ordering guide</b>	<b>Finishes:</b> <b>S</b> STANDARD CLEAR ANODIZED <b>B</b> BLACK ANODIZED	

**Specifications:**  
**Sizes:** 1.25" (31.75MM) SQUARE  
**Mounting:** ADHESIVE STRIP INCLUDED

